

Catalogue No: D7-X10

CONTACT BLOCK SCREW 1N/O

Operator Control Devices > Pushbuttons and Control Switches > Pushbuttons and Pilot Lights > Sprecher + Schuh D7 Pushbuttons and Pilot Lights > D7 Contact Blocks and Coupling Plates > Standard panel mount contact blocks

NHP



Representative Photo Only
(actual product may vary based on configuration selections)

Contact block screw terminals 1N/O

- D7 pilot devices offer maximum flexibility and a wide choice for all 22.5mm operator applications with all type (e-stops, selector switches, pushbuttons, pilot lights and more), colour and contact configurations.
- Aesthetically appealing and modularly designed to make assembly and interchangeability easy.
- Operators exhibit low profile and stylish appearance while maintaining the rugged performance necessary for demanding environments
- D7P is a plastic operator with a captive black plastic front bezel. Constructed of high-grade thermoplastics, the D7P is suitable for almost all environments and strong chemical resistance.
- D7M has a die-cast zinc housing and mounting ring for rugged durability. Finished with corrosion resistant chrome plating, the D7M also features a captive shiny metal bezel for a polished appearance.

SPECIFICATIONS

Component Type Pushbutton and Pilot Lights	Contact Block
Contact configuration	1 NO
Ie, Rated Operational Current, AC 15, 110-120V AC	6
Ie, Rated Operational Current, AC 15, 240V AC	3
Ie, Rated Operational Current, DC 13, 125V DC	0.55
Mounting	Panel Mount
Ui, Rated Insulation Voltage	680
Compatible Product Series	D7 22.5mm Control & Indication
Coupling Plate Included	No
Material, contact	Silver Nickel (AgNi)
Colour, Contact Actuator	Green
Terminal Type	Screw Terminal(s)
Material, Terminal	Brass
Material, Spring	Zinc-Plated Stainless Steel
Operating Force	3.4
Wire / Conductor Size (Min)	0.75 mm ²
Wire / Conductor Size (Max)	2.5 mm ²
Dielectric Strength	2.5kV for 1 minute
Electrical Service Life at Un, In	500000
Mechanical service life	10000000
RoHS Approved	Yes
CE Marked	Yes
Relative humidity, min	50
Relative humidity, max	95
IP rating	IP66 IP65

Catalogue No: **D7-X10**

CONTACT BLOCK SCREW 1N/O

Operator Control Devices > Pushbuttons and Control Switches > Pushbuttons and Pilot Lights > Sprecher + Schuh D7
Pushbuttons and Pilot Lights > D7 Contact Blocks and Coupling Plates > Standard panel mount contact blocks



Shock Acceleration (Max.)	100
Shock Duration (Max.)	11
Vibration Acceleration (Max.)	10
Vibration Displacement (Peak to Peak Max.)	1.52
Vibration Frequency, Operational (Max.)	2000
Vibration Duration (Max.)	180
Standards Compliance	UL 508 EN 60947-1 NEMA ICS-5 EN 60947-5-1 EN 60947-5-5 EN 418
Certifications	CCC CE CSA UL UR
Shipping Approvals	ABS (American Bureau of Shipping) Lloyd's Register of Shipping RINA (Registro Italiano Navale)

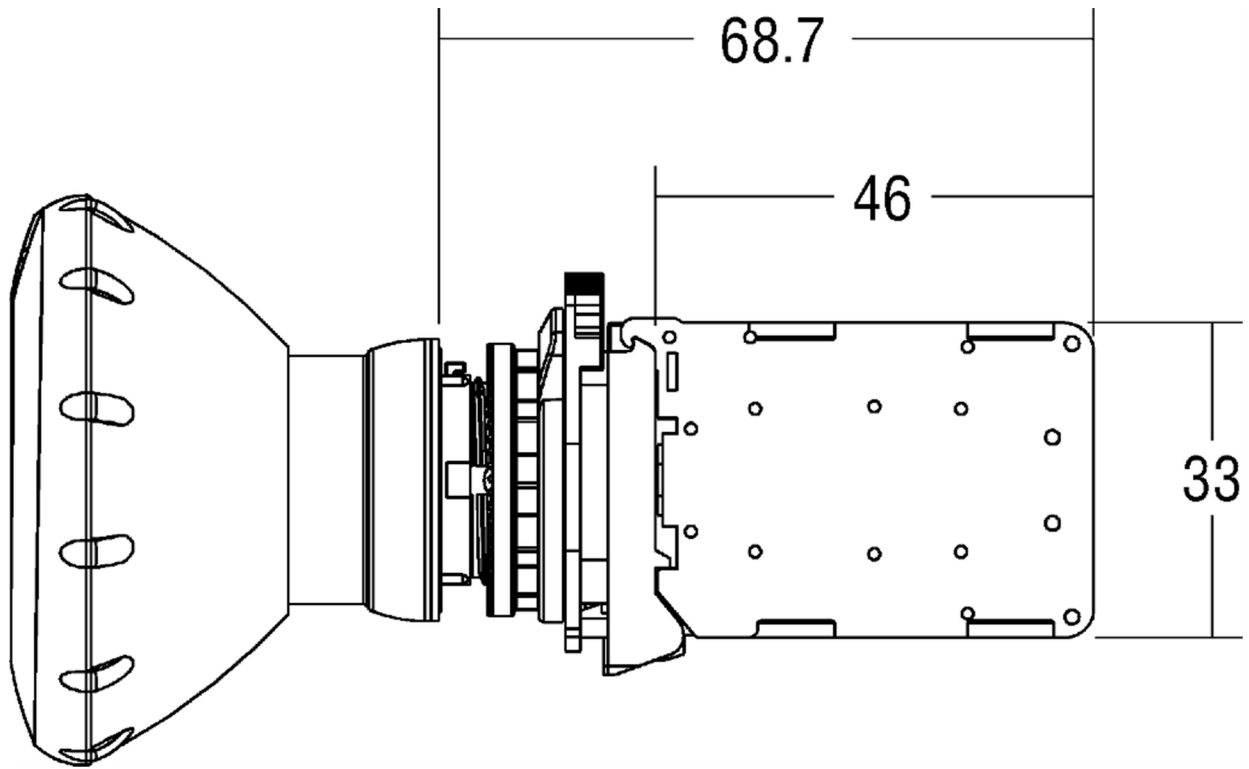
REFERENCES

IECEX Certificate	-
Supplier Declaration of Conformity:	-
Installation Guide:	-
User Manual:	-
Manufacturer Datasheet:	Series D7_Manufacturer Datasheet
Manufacturer Catalogue & Product Selection:	Series D7_Manufacturer Catalogue

Catalogue No: **D7-X10**

CONTACT BLOCK SCREW 1N/O

Operator Control Devices > Pushbuttons and Control Switches > Pushbuttons and Pilot Lights > Sprecher + Schuh D7
Pushbuttons and Pilot Lights > D7 Contact Blocks and Coupling Plates > Standard panel mount contact blocks



Dimension Diagram